

### GENERAL DESCRIPTION

The installation set **AC 8003** is designed for installation of Fire Detectors 7000 and 8000 Series on rough surfaces. The set might be used with bases **8000**, **8000D**, **8000R**, **8000RD**, **7100**, **7100A**. When laying the conducting wires for internal installation where the Fire detectors have to be fixed sometimes there are rough surfaces. The installation of the bases might be hampered, it is possible to be deformed that is a precondition for poor contact resulting in false triggering or interruption of the communication. The intermediate base for rough surfaces (**pos. 1**) eliminates all these problems. The elastic feet (**pos. 2**) used to fix the base to the surface reduce the probability of deformations of its case. The installation of the bases to it on columns ensures their evenness as well as it provides extra space under the base of the Fire detector for the proper and convenient positioning of the connecting wires.

### TECHNICAL DATA

Height	12 mm
Diameter	98 mm
Mass	0,018 kg
Material	ABS
Colour	white
Roughness depth	max. 6 mm

### INSTALLATION

Install it according to fig. 1 in the following sequence:

1. Position the base for installation on rough surfaces in such way that it should have as many as possible supporting points along its periphery (**pos. 6**).
2. Fix the intermediate base (**pos. 1**) at the desired place by means of pins and screws (**pos. 3**).
3. Fix the Fire detector base to the intermediate base by means of screws (**pos. 4**).
4. Make the electrical installation according to the base type.

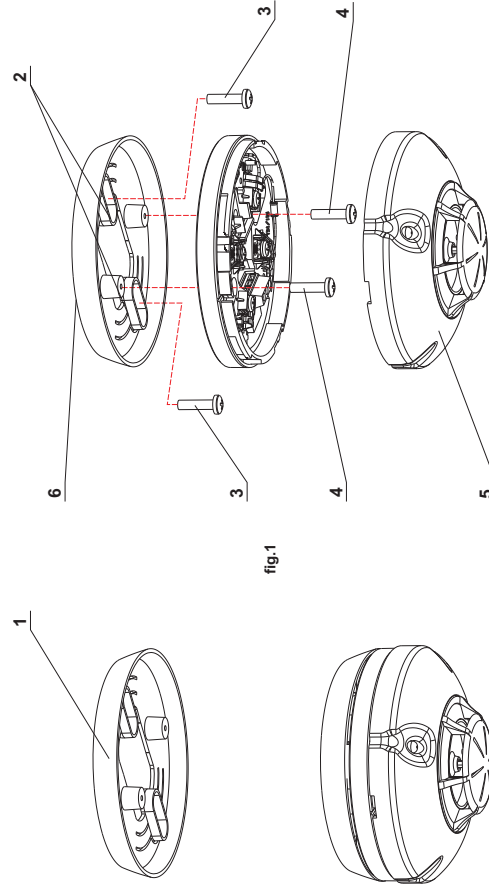


fig.1

### GENERAL DESCRIPTION

The installation set **AC 8003** is designed for installation of Fire Detectors 7000 and 8000 Series on rough surfaces. The set might be used with bases **8000**, **8000D**, **8000R**, **8000RD**, **7100**, **7100A**. When laying the conducting wires for internal installation where the Fire detectors have to be fixed sometimes there are rough surfaces. The installation of the bases might be hampered, it is possible to be deformed that is a precondition for poor contact resulting in false triggering or interruption of the communication. The intermediate base for rough surfaces (**pos. 1**) eliminates all these problems. The elastic feet (**pos. 2**) used to fix the base to the surface reduce the probability of deformations of its case. The installation of the bases to it on columns ensures their evenness as well as it provides extra space under the base of the Fire detector for the proper and convenient positioning of the connecting wires.

### TECHNICAL DATA

Height	12 mm
Diameter	98 mm
Mass	0,018 kg
Material	ABS
Colour	white
Roughness depth	max. 6 mm

### INSTALLATION

Install it according to fig. 1 in the following sequence:

1. Position the base for installation on rough surfaces in such way that it should have as many as possible supporting points along its periphery (**pos. 6**).
2. Fix the intermediate base (**pos. 1**) at the desired place by means of pins and screws (**pos. 3**).
3. Fix the Fire detector base to the intermediate base by means of screws (**pos. 4**).
4. Make the electrical installation according to the base type.

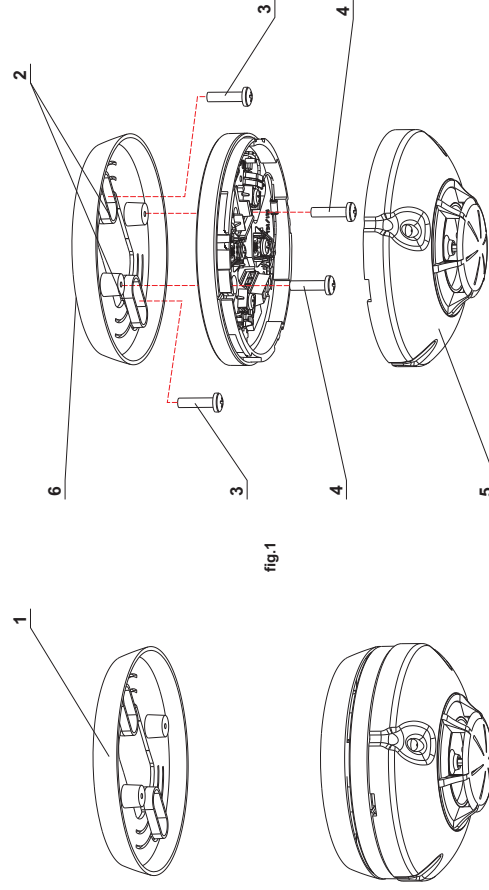


fig.1